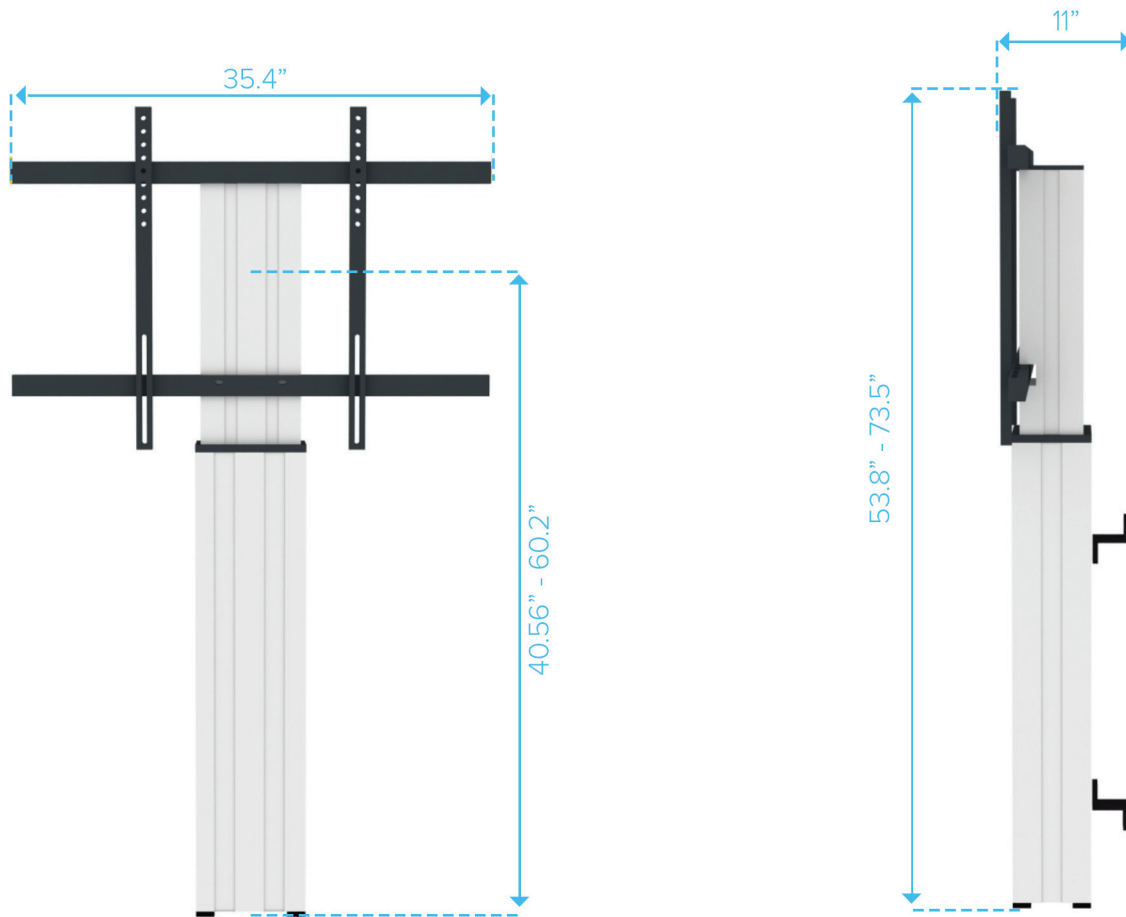




ADJUSTABLE WALL MOUNT LIGHT

MOTORIZED HEIGHT ADJUSTMENT FOR USE WITH MODELS UP TO 5075+





ADJUSTABLE WALL MOUNT LIGHT PRODUCT FEATURES

- Motorized wall mount with actuator integrated in aluminum center column
- Designed for use with 55" – 75" displays with max. VESA 800x600
- Weight load capacity 275 lbs
- 20" height adjustment
- Display mount with 2 "Lock & Release" brackets
- Comes standard with 4 leveling feet and 2 wall mount brackets (standard wall distance 2.8")
- Blank anodized center column
- 3 year warranty

| PART NO. | DESCRIPTION | PACKING DIMENSIONS | NET WEIGHT | GROSS WEIGHT |
|----------------|--|-------------------------|-----------------|-----------------|
| CTI-STAND-ADJL | Motorized Wall Mount Light - Motorized Height Adjustment (for use with up to 5075H+) | 51.97" x 10.63" x 8.66" | 51.2 lbs | 61.3 lbs |
| | | | 51.2 lbs | 61.3 lbs |